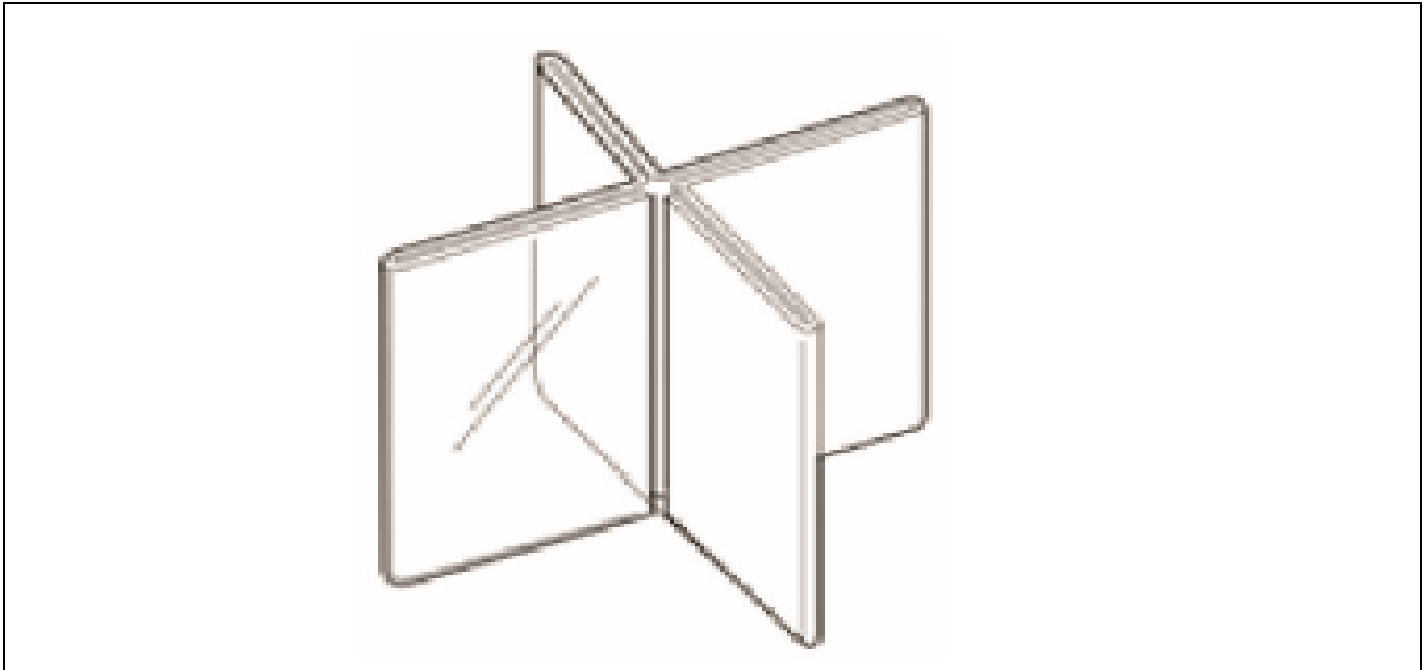


PRODUCT DATA SHEET



Description	Eight-sided print holder
Material	Acrylic
Colour	Clear
Size(s)	A6, DL, A5
Orientation	Portrait or Landscape

Images



Applications

- Information display
- Menus and special offers
- POS – Point of sale
- Product and pricing specifications
- Safety and compliance notices
- Advertising and brand awareness
- Retail, catering, hospitality, leisure, and exhibition services sectors

Features and benefits

- Eight-sided display holder
- Easily interchangeable
- Robust and hardwearing
- Excellent strength, rigidity, transparency, and optical clarity
- 50% lighter and 30 x stronger than glass
- Shatterproof and UV resistant
- Bespoke sizes and designs available

Associated Products



Three-sided print holder

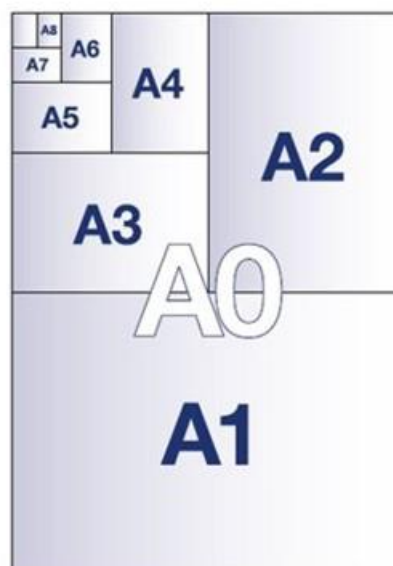


Four-sided print holder



Six-sided print holder

Paper size guide						
Size	W x H (mm)			W x H (inches)		
	mm	x	mm	in	x	in
0	841	x	1189	33.10	x	46.80
1	594	x	841	23.40	x	33.10
2	420	x	594	16.50	x	23.40
3	297	x	420	11.70	x	16.50
4	210	x	297	8.30	x	11.70
5	148	x	210	5.80	x	8.30
DL	95	x	210	3.90	x	8.30
6	105	x	148	4.10	x	5.80
7	74	x	105	2.90	x	4.10
8	52	x	74	2.00	x	2.90



Bespoke options are available – Please contact one of our specialists for further details