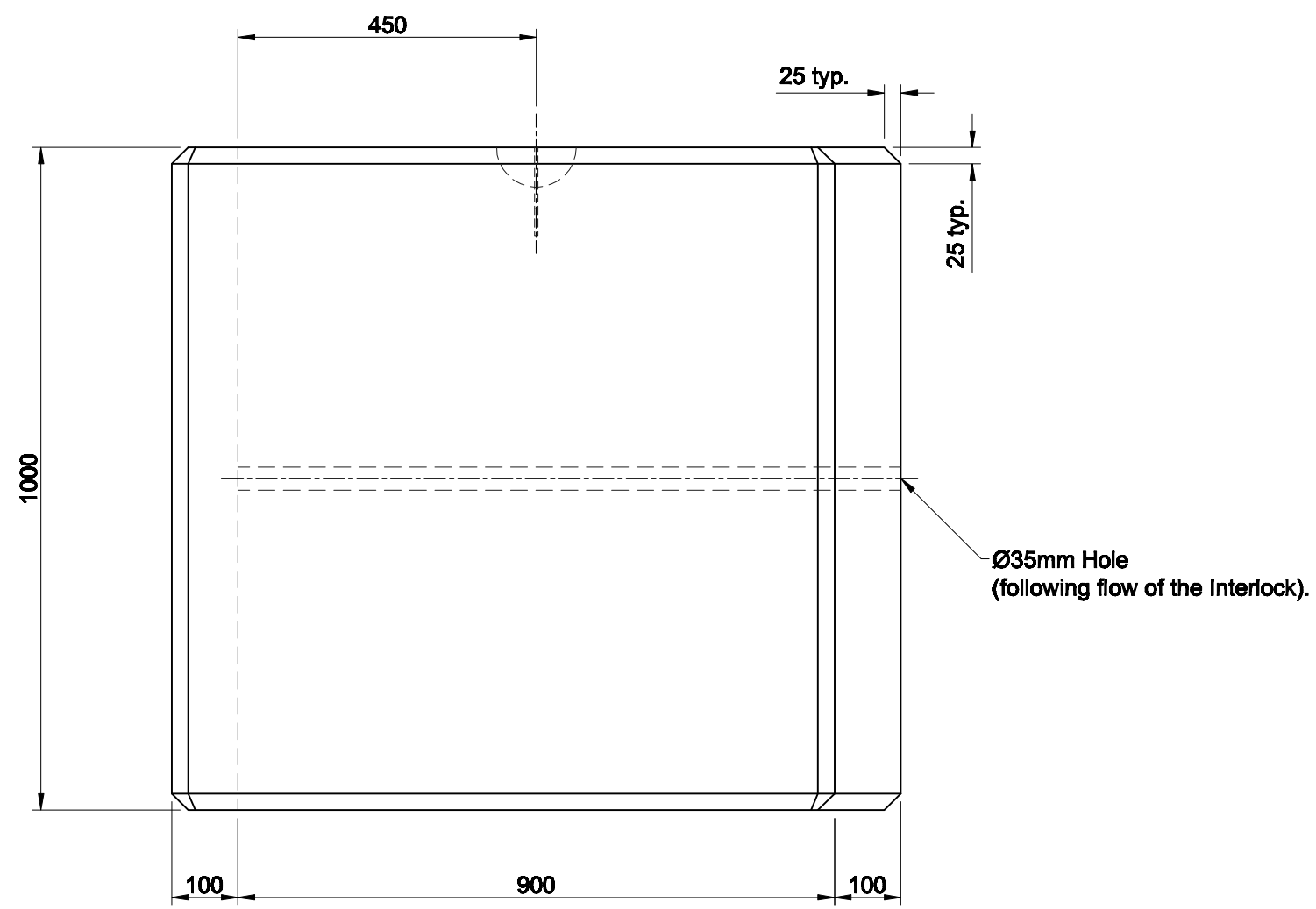
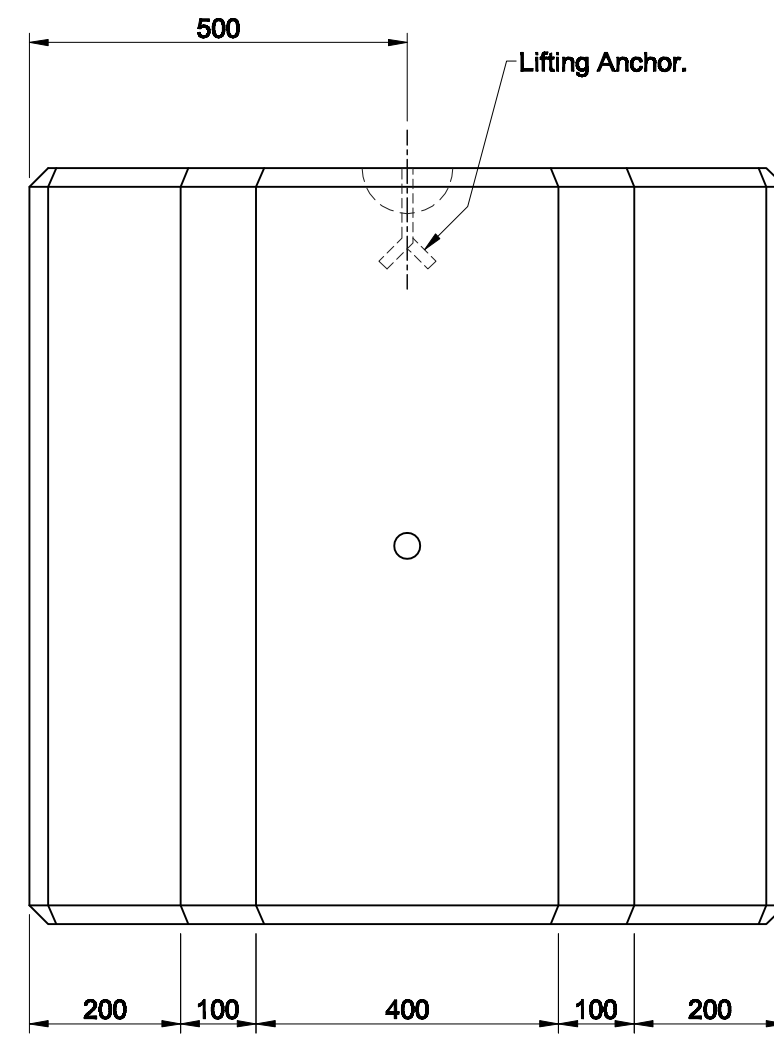


PLAN



ELEVATION



END

|      |     |          |          |              |                                                                                           |     |
|------|-----|----------|----------|--------------|-------------------------------------------------------------------------------------------|-----|
| DRN  | CTC | DATE     | 16-07-10 | TITLE        | 1000mm x 1000mm x 1000mm<br>Interlocking Security Block<br>ELITE PRECAST CONCRETE LIMITED |     |
| CHKD |     | DRG SIZE | A2       |              |                                                                                           |     |
|      |     | SCALE    | 1:10     | AND AS NOTED | DRG                                                                                       | 034 |
|      |     |          |          |              | REV                                                                                       | 0   |