

NEW 20MM LED PUSH BUTTON SWITCHES

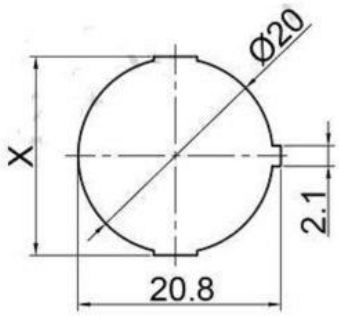
9
Feb

New Products

Alan Butcher Components has recently added 20mm LED push button switches to our range. These 12VDC, red and green illuminated versions are stylish, compact switches suitable for low voltage applications.

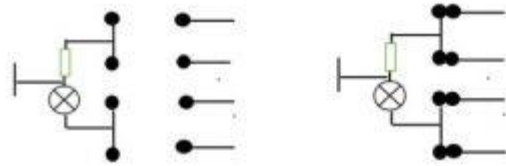
Technical Features:

- **Cut-out** – 20mm diameter. These panel mount push switches are easy to fit without the need for specialised tools.

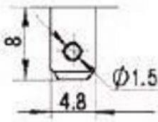
|  | Panel Thickness | X |
|-------------------------------------------------------------------------------------|-----------------|------|
| | 0.75-1.25 | 20.2 |
| | 1.25-2.00 | 20.4 |
| | 2.00-3.00 | 20.6 |

- **Illumination** – 12VDC red or green LED. The LED provides a bright, energy efficient illumination. Other colour options are available so please contact Alan Butcher Components to discuss your requirements.
- **Switch action** – Latching, DPST on-off. When the switch button is pressed it remains on until pressed again. The below circuit diagram shows the switching action – double pole

(DP) push button switch. A double pole switch will activate two circuits:



- **Contact Rating** – 10A 12VDC
- **Terminals** – 4.8mm quick connect



- **Data sheets** – these can be downloaded from the Alan Butcher Components website:

| | |
|------------------------------------------------------------------------------------------------------------|-------------------------------------------------------------------------------------------------------------------------|
| <ul style="list-style-type: none"> • • AB-PB-1013 – 12VDC red illuminated | https://www.abcomponents.co.uk/push-button-switch-al |
| <ul style="list-style-type: none"> • • AB-PB-1014 – 12VDC green illuminated | https://www.abcomponents.co.uk/push-button-switch-al |

As previously mentioned, this 20mm LED push button switch range is available in different colours, either illuminated or non-illuminated. In addition, there are several voltage options – 110V, 220VAC and 24VDC. Minimum order quantities will apply for non-stock items so please call or email for more information.

To request a quotation:

Call **01258456360**

Email **sales@abomponents.co.uk**

Alan Butcher Components is a family owned, independent UK distributor of electronic and electro-mechanical components. Our range includes switches, reed sensors, level sensors, piezo buzzers, miniature speakers, microphones, signal lamps, IEC connectors and Berker socket outlets, switches and frames.