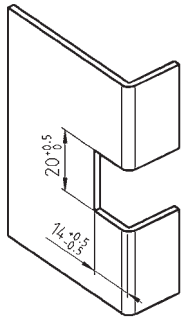


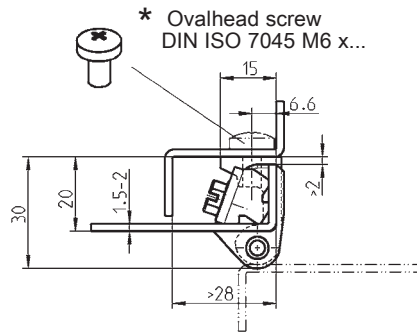
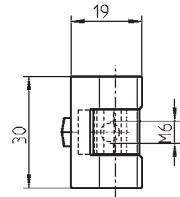
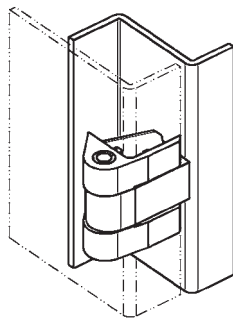
180° hinge stainless steel

PROGRAM 1110

180° hinge for in-line cabinets with adjacent door for 20 mm door return



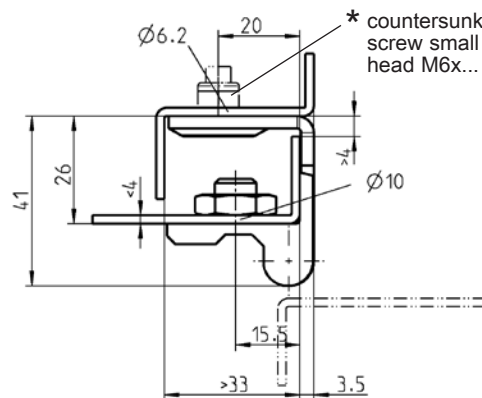
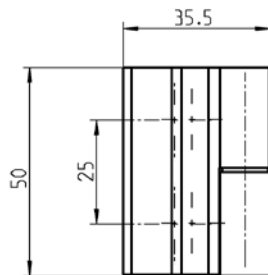
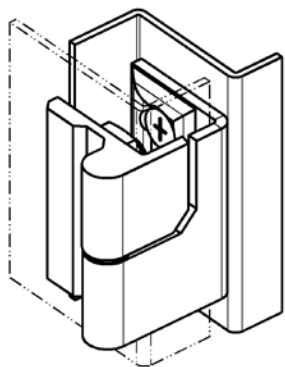
Cut out



180° hinge AISI 316; pin AISI 304; screw AISI 303

1110-U5-NPH

180° hinge for in-line cabinets with adjacent door for 26 mm door return



180° hinge AISI 316

LH (2D-nut possible)

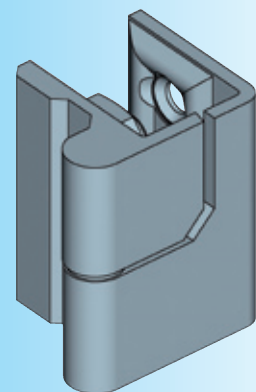
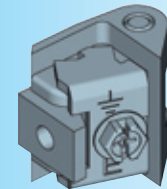
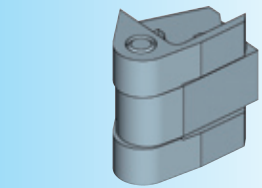
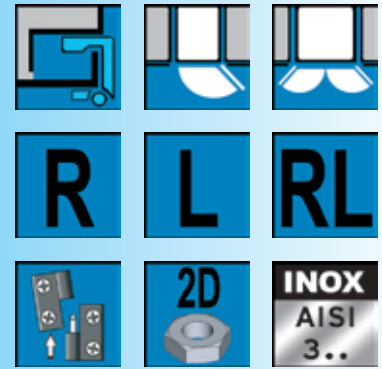
1110-U120-PH

RH (2D-nut possible)

1110-U121-PH

© EMKA Beschlagteile GmbH & Co. KG 2016

Beschlagteile



small head = DIN ISO 2009, 2010, 7046-1, 7046-2, 7047

* notincluded